

CUSTOM[®]



GENIUS 2.0

WINDOWS PC

All-in-One Windows[®] PcPos compact and with a refined design, equipped with a 80mm thermal printer, 13.3" wide LCD touch screen and WI-FI[®] connectivity. GENIUS 2.0 is the ideal solution for those who need great performance in small spaces.

GENIUS 2.0

WINDOWS PC

FEATURES

- **Intel® Celeron® J3455 2.3 GHz processor**
- **RAM:** 8 GB
- **Storage:** 128 GB SSD
- **Integrated 80 mm thermal printer**
- **13.3" wide LCD touch screen** with 1366x768 resolution (300 cd/mq)
- **Wi-Fi® module on board**
- **Supported O.S.: Windows® 10 IoT**
- **Dimensions** 266.4 mm (W) x 337.5 mm (D) x 270.5 mm (H)
- **Weight** 4.5 kg

I/O

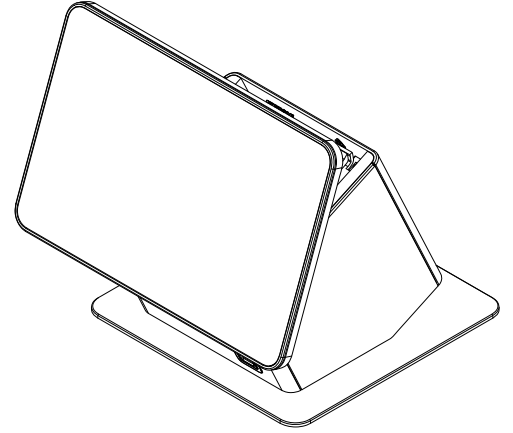
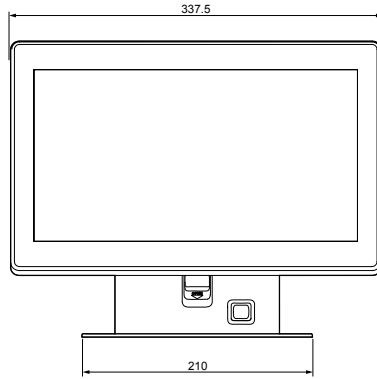
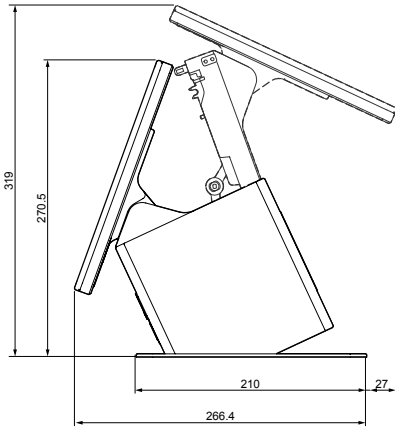
- **4 USB 3.0**
- **1 Ethernet/RJ45**
- **1 HDMI**
- **1 cash drawer port**
- **1 COM (6pin)**

SENSORS

- **Paper presence**
- **Paper compartment cover opening**
- **Printhead temperature**
- **Low paper end**
- **Cutter position**



TECHNICAL DETAILS



BACK



FRONT

AVAILABLE MODELS

P/N

921LD080300L33

921LD080400L33

DESCRIPTION

Genius 2.0, J3455, 8GB, 128GB SSD, No O/S

Genius 2.0, J3455, 8GB, 128GB SSD, Win10 IoT



Scan or Click the **QR CODE**
and Find out more about Custom products

